

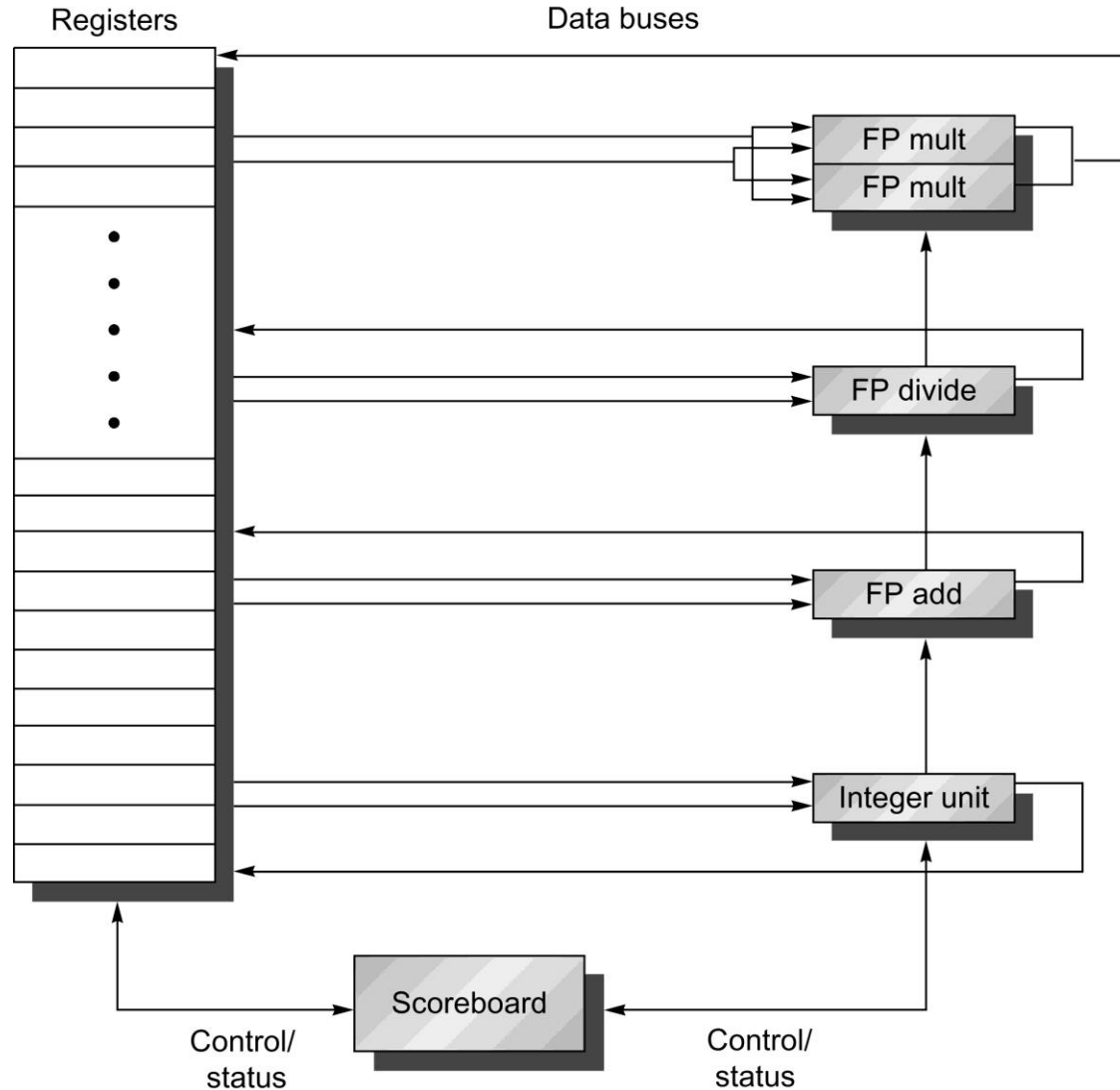
CS425

Computer Systems Architecture

Fall 2023

**Dynamic Instruction Scheduling:
Tomasulo**

Scoreboard Architecture (CDC 6600)



Instruction to scoreboard ⇒
data dependences ⇒
hazard detection and
resolution centralized

Scoreboard: decides when
the instruction can **execute**
and when it can **write its
result**

CDC 6600 Scoreboard

- Speedup 1.7 for FORTRAN programs; 2.5 by hand (outdated measurements)
- Limitations of 6600 scoreboard:
 - No forwarding hardware
 - Limited to instructions in basic block (small window)
 - Small number of functional units (structural hazards), especially integer/load store units
 - Do not issue on structural hazards
 - Wait for WAR hazards
 - Prevent WAW hazards

Another Dynamic Algorithm: Tomasulo

- IBM 360/91 3 years later than CDC 6600 (1966)
- **Goal:** High Performance without special compilers
- Differences between IBM 360 & CDC 6600 ISA
 - IBM has 4 FP registers vs. 8 in CDC 6600
 - IBM has memory-register ops
- Why study this?
 - lead to Alpha 21264, HP 8000, MIPS 10000, Pentium II, PowerPC 604...

Register Renaming

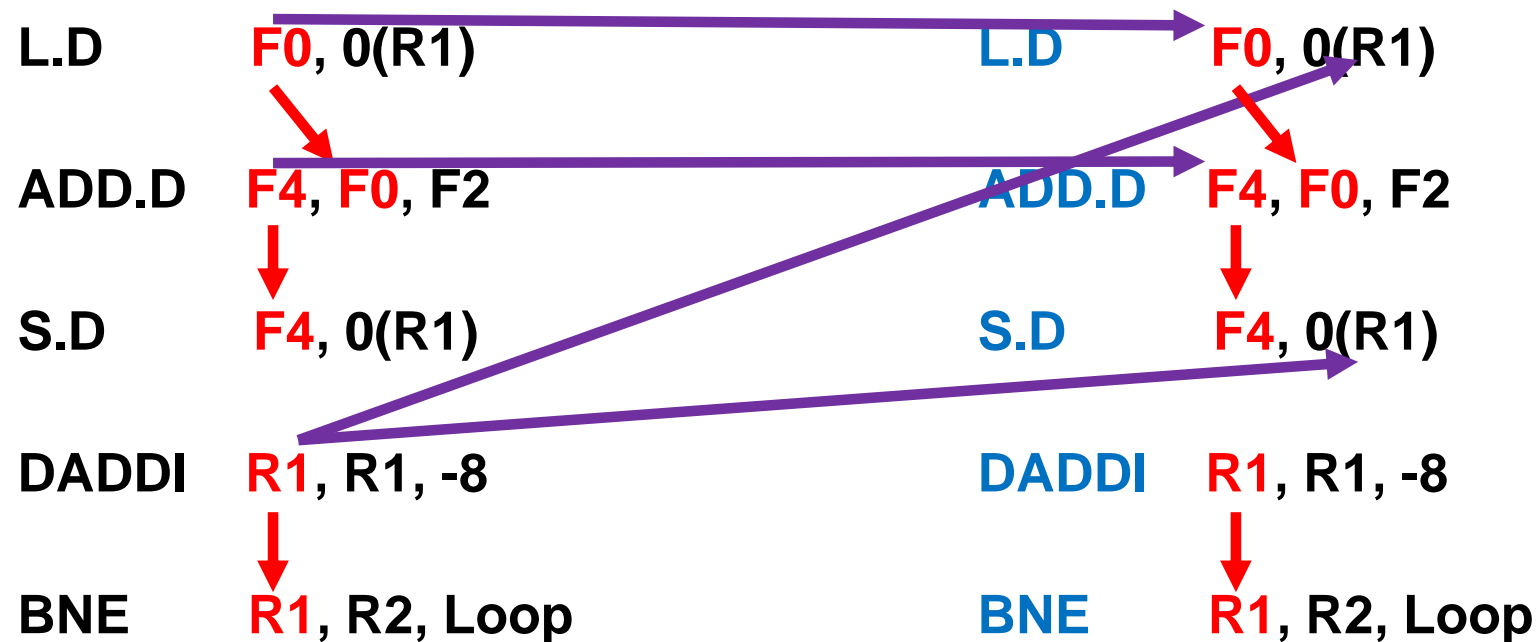


- What happens with branches?
- Tomasulo can handle renaming across branches

Dependencies Between Instructions

- **(True) Data Dependences**: two instructions are data dependent when there is a chain of RAW hazards between them.

Loop:



What happens in next iteration?

Scoreboard Example: Cycle 17

Instruction status:

Instruction	<i>j</i>	<i>k</i>	Issue	Read Oper	Exec Comp	Write Result	
LD	F6	34+	R2	1	2	3	4
LD	F2	45+	R3	5	6	7	8
MULTD	F0	F2	F4	6	9		
SUBD	F8	F6	F2	7	9	11	12
DIVD	F10	F0	F6	8			
ADDD	F6	F8	F2	13	14	16	

WAR hazard!

Why not write ADDD result?

Functional unit status:

Time	Name	Busy	Op	dest <i>Fi</i>	<i>S1</i> <i>Fj</i>	<i>S2</i> <i>Fk</i>	<i>FU</i> <i>Qj</i>	<i>FU</i> <i>Qk</i>	<i>Fj?</i> <i>Rj</i>	<i>Fk?</i> <i>Rk</i>
	Integer	No								
2	Mult1	Yes	Mult	F0	F2	F4			No	No
	Mult2	No								
	Add	Yes	Add	F6	F8	F2			No	No
	Divide	Yes	Div	F10	F0	F6	Mult1		No	Yes

Register result status:

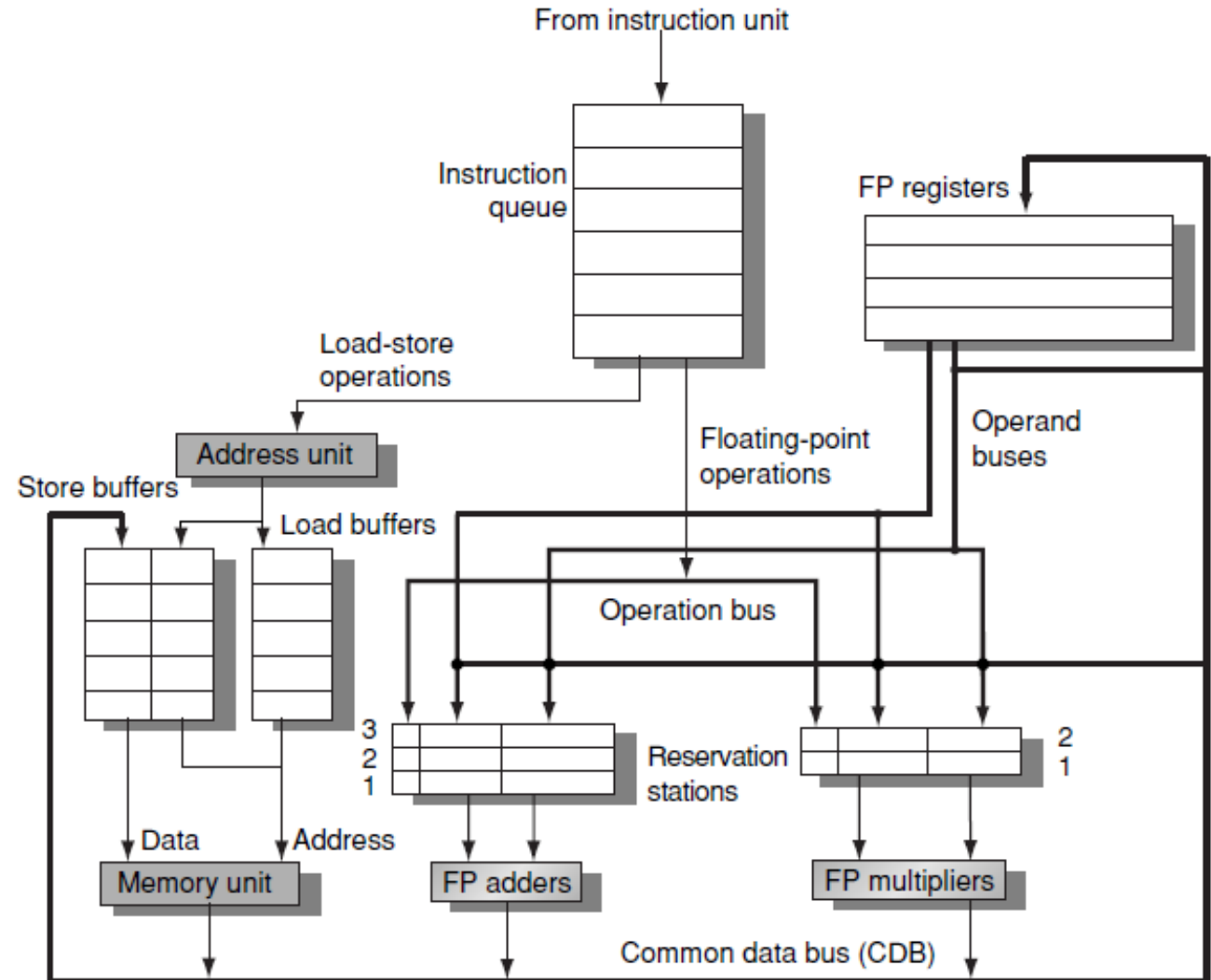
Clock	<i>F0</i>	<i>F2</i>	<i>F4</i>	<i>F6</i>	<i>F8</i>	<i>F10</i>	<i>F12</i>	...	<i>F30</i>
17									
<i>FU</i>	Mult1			Add		Divide			

Tomasulo Algorithm vs. Scoreboard

- FU buffers called “**reservation stations (RS)**” and hold the register/variable values needed for execution
- The source registers are replaced with the actual values or pointers to the RSs that will produce the values. This is effectively **register renaming**.
 - avoids WAR, WAW hazards
 - more RSs than real registers (can do optimizations compilers can't !)
- Results arrive to the FUs from the RSs, **not via register file**, but over the **Common Data Bus** that broadcasts results to all FUs: bypassing of results
- Load and Stores use separate FUs with RSs as well
- Integer instructions can go past branches, allowing FP ops beyond basic block in FP queue
- Control logic and buffers are **distributed** with the Functional Units (FUs) vs. **centralized** in Scoreboard

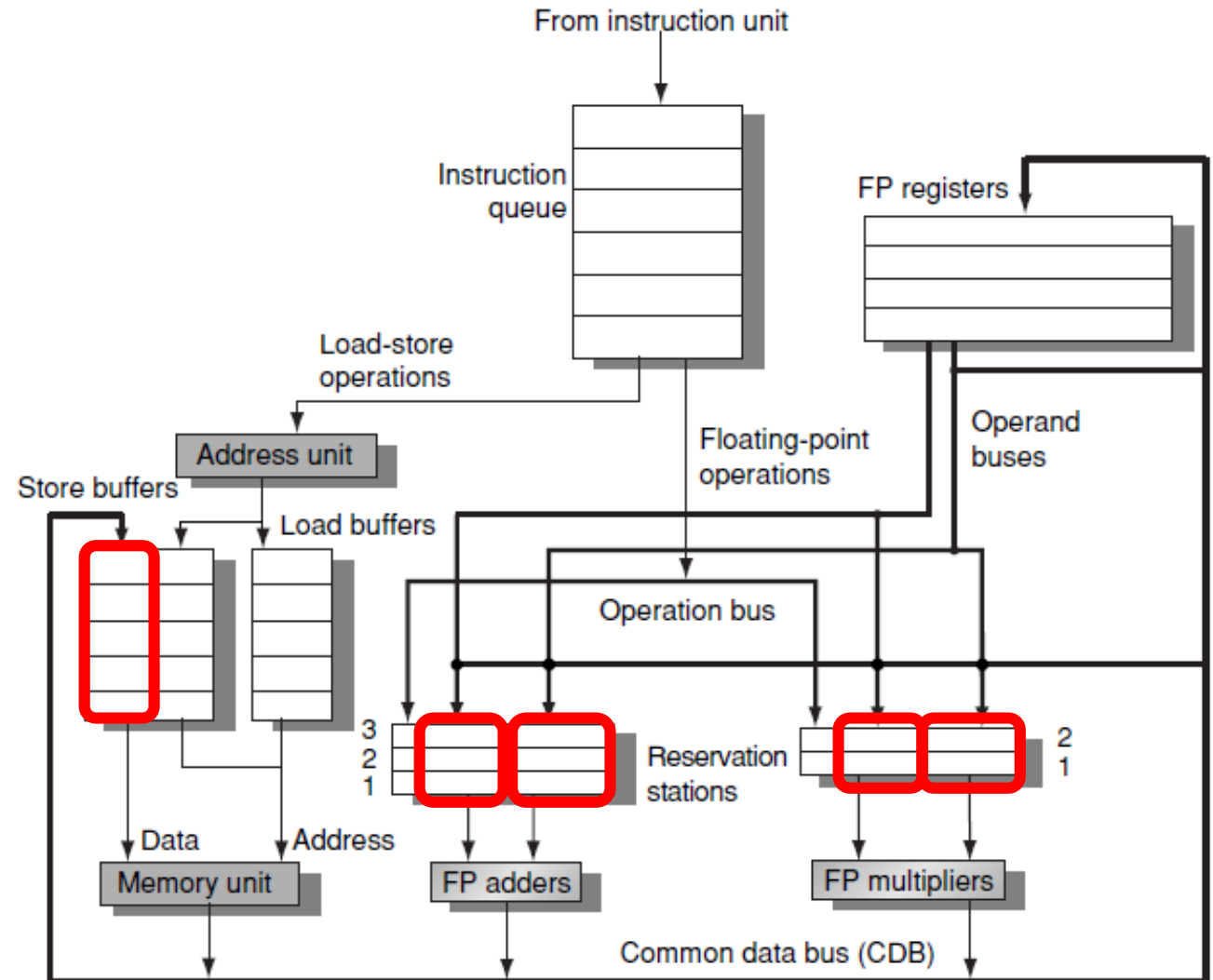
Tomasulo Organization (1/3)

- Read operands from RF or CDB on issue
- CDB: no need for multi-ported RF
- Multiple instructions maybe ready for Write Result or Execution:
 - source of structural hazards if FUs or CDB is not enough
- Hazards on memory (effective address, next lectures)



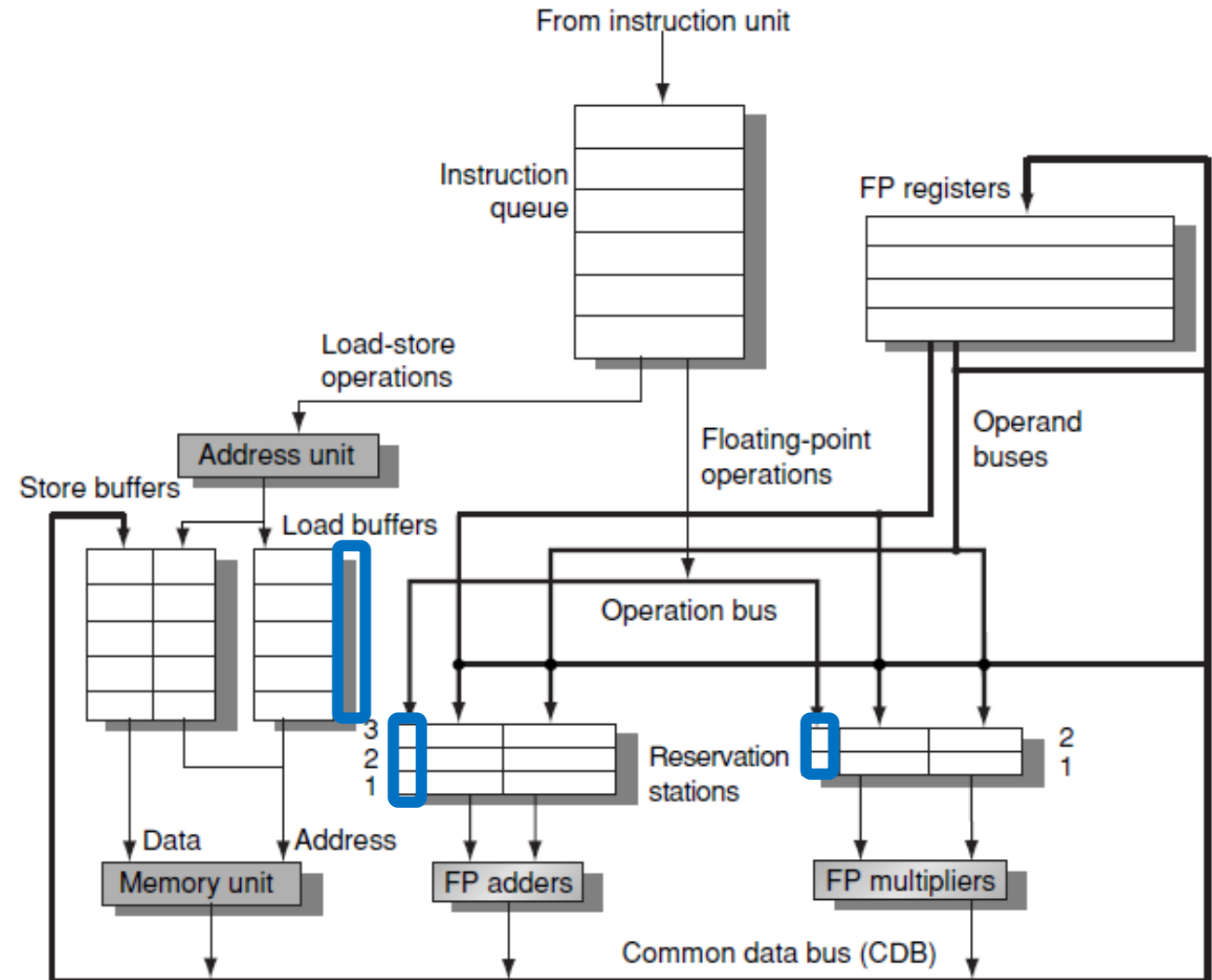
Tomasulo Organization (2/3)

- Register values or tags of FU that will produce the results



Tomasulo Organization (3/3)

- **Ten tags: 4-bit tags**
 - 3 Adders
 - 2 Multipliers
 - 5 Load buffers



Three Stages of the Tomasulo Algorithm

- **Issue (dispatch):** get a new instruction from the instruction queue
 - If there is a vacant reservation station (no structural hazard) then issue instruction and send operand values or keep track of the FU/RS that will produce the operand (register renaming)
- **Execution:** execute on the functional unit (FU)
 - when both operands are ready in the RS start execution
 - when not ready watch the Common Data Bus for the expected result
- **Write result (commit):** end of execution (WB)
 - write the result on the Common Data Bus so that all waiting FUs/RSs get the result, write to register file, mark reservation station available

Common Data Bus

- Typical data bus: data + destination (“go to” bus)
- Common data bus: data + source/res. station tag (“come from” bus).
 - masters send to all slaves
 - does arbitration and the **broadcast**
 - 64 bits of data + 4 bits of Functional Unit source address
 - write result if it matches the expected Functional Unit (result producer)

Tomasulo Data Structures

- **Instruction status:** the stage of each instruction
- **Reservation station status:**
 - **Busy:** marks if the RS is busy or not
 - **Op:** the operation to be executed (e.g., + or –)
 - **V_j, V_k:** the value of the source register
 - Store buffers have a single V field, value to store
 - **Q_j, Q_k:** the reservation stations which produce the source registers (value to be written)
 - Note: No ready flags as in Scoreboard; Q_j=0, Q_k=0 means ready
 - Store buffers only have Q_i for RS producing result
- **Register Result Status:** show which FU/RS will write each register. Empty when no pending instructions write this register.

Tomasulo Example

Instruction status:

Instruction	<i>j</i>	<i>k</i>	<i>Issue</i>	<i>Exec</i>	<i>Write</i>	<i>Comp</i>	<i>Result</i>	Busy	Address
L.D	F6	34+	R2					Load1	No
L.D	F2	45+	R3					Load2	No
MULT.D	F0	F2	F4					Load3	No
SUB.D	F8	F6	F2						
DIV.D	F10	F0	F6						
ADD.D	F6	F8	F2						

Reservation Stations:

Time	Name	Busy	Op	S1	S2	RS	RS
				V _j	V _k	Q _j	Q _k
	Add1	No					
	Add2	No					
	Add3	No					
	Mult1	No					
	Mult2	No					

Register result status:

Clock	F0	F2	F4	F6	F8	F10	F12	...	F30
0	FU								

Tomasulo Example: Cycle 1

Instruction status:

Instruction	<i>j</i>	<i>k</i>	<i>Issue</i>	<i>Exec</i>	<i>Write</i>
			<i>Comp</i>	<i>Result</i>	
LD	F6	34+	R2	1	
LD	F2	45+	R3		
MULTD	F0	F2	F4		
SUBD	F8	F6	F2		
DIVD	F10	F0	F6		
ADDD	F6	F8	F2		

	Busy	Address
2 Load1	Yes	34+R2
Load2	No	
Load3	No	

Reservation Stations:

Time	Name	Busy	Op	<i>S1</i>	<i>S2</i>	<i>RS</i>	<i>RS</i>
				<i>Vj</i>	<i>Vk</i>	<i>Qj</i>	<i>Qk</i>
	Add1	No					
	Add2	No					
	Add3	No					
	Mult1	No					
	Mult2	No					

Register result status:

Clock	<i>F0</i>	<i>F2</i>	<i>F4</i>	<i>F6</i>	<i>F8</i>	<i>F10</i>	<i>F12</i>	...	<i>F30</i>
1				Load1					

Tomasulo Example: Cycle 2

Instruction status:

Instruction	<i>j</i>	<i>k</i>	<i>Issue</i>	<i>Exec</i>	<i>Write</i>	<i>Comp</i>	<i>Result</i>
LD	F6	34+	R2	1			
LD	F2	45+	R3	2			
MULTD	F0	F2	F4				
SUBD	F8	F6	F2				
DIVD	F10	F0	F6				
ADDD	F6	F8	F2				

	Busy	Address
1 Load1	Yes	34+R2
2 Load2	Yes	45+R3
Load3	No	

Note: we can have multiple loads outstanding

Reservation Stations:

Time	Name	Busy	Op	S1 Vj	S2 Vk	RS Qj	RS Qk
	Add1	No					
	Add2	No					
	Add3	No					
	Mult1	No					
	Mult2	No					

Register result status:

Clock	F0	F2	F4	F6	F8	F10	F12	...	F30	
2		Load2								
	FU		Load1							

Tomasulo Example: Cycle 3

Instruction status:

Instruction	<i>j</i>	<i>k</i>	<i>Issue</i>	<i>Exec Comp</i>	<i>Write Result</i>	Busy	Address
LD	F6	34+	R2	1	3	0 Load1	Yes 34+R2
LD	F2	45+	R3	2		1 Load2	Yes 45+R3
MULTD	F0	F2	F4	3		Load3	No
SUBD	F8	F6	F2				
DIVD	F10	F0	F6				
ADDD	F6	F8	F2				

Load1 completes

Reservation Stations:

Time	Name	Busy	Op	<i>S1 Vj</i>	<i>S2 Vk</i>	<i>RS Qj</i>	<i>RS Qk</i>
	Add1	No					
	Add2	No					
	Add3	No					
	Mult1	Yes	MULTD		R(F4)	Load2	
	Mult2	No					

Note: registers names are removed (“renamed”) in Reservation Stations; MULTD issued vs. scoreboard

Register result status:

Clock	F0	F2	F4	F6	F8	F10	F12	...	F30
3	Mult1	Load2		Load1					

Tomasulo Example: Cycle 4

Instruction status:

Instruction	<i>j</i>	<i>k</i>	<i>Issue</i>	<i>Exec Comp</i>	<i>Write Result</i>	Busy	Address
LD	F6	34+	R2	1	3	4	Load1
LD	F2	45+	R3	2	4		0 Load2
MULTD	F0	F2	F4	3			Load3
SUBD	F8	F6	F2	4			
DIVD	F10	F0	F6				
ADDD	F6	F8	F2				

Load2 completes

Reservation Stations:

Time	Name	Busy	Op	<i>S1</i> <i>Vj</i>	<i>S2</i> <i>Vk</i>	<i>RS</i> <i>Qj</i>	<i>RS</i> <i>Qk</i>
Add1	Yes	SUBD	M(A1)				Load2
Add2	No						
Add3	No						
Mult1	Yes	MULTD			R(F4)	Load2	
Mult2	No						

Register result status:

Clock	<i>F0</i>	<i>F2</i>	<i>F4</i>	<i>F6</i>	<i>F8</i>	<i>F10</i>	<i>F12</i>	...	<i>F30</i>
4	FU								
	Mult1	Load2			Add1				
Reg File	M(A1)								

Tomasulo Example: Cycle 5

Instruction status:

Instruction	<i>j</i>	<i>k</i>	<i>Issue</i>	<i>Exec Comp</i>	<i>Write Result</i>	Busy	Address	
LD	F6	34+	R2	1	3	4	Load1	No
LD	F2	45+	R3	2	4	5	Load2	No
MULTD	F0	F2	F4	3			Load3	No
SUBD	F8	F6	F2	4				
DIVD	F10	F0	F6	5				
ADDD	F6	F8	F2					

Reservation Stations:

Time	Name	Busy	Op	<i>S1 Vj</i>	<i>S2 Vk</i>	<i>RS Qj</i>	<i>RS Qk</i>
2	Add1	Yes	SUBD	M(A1)	M(A2)		
	Add2	No					
	Add3	No					
10	Mult1	Yes	MULTD	M(A2)	R(F4)		
	Mult2	Yes	DIVD		M(A1)	Mult1	

Register result status:

Clock	<i>F0</i>	<i>F2</i>	<i>F4</i>	<i>F6</i>	<i>F8</i>	<i>F10</i>	<i>F12</i>	...	<i>F30</i>
5	FU								
	Mult1				Add1	Mult2			
Reg File	M(A2)		M(A1)						

Tomasulo Example: Cycle 6

Instruction status:

Instruction	<i>j</i>	<i>k</i>	<i>Issue</i>	<i>Exec Comp</i>	<i>Write Result</i>	Busy	Address	
LD	F6	34+	R2	1	3	4	Load1	No
LD	F2	45+	R3	2	4	5	Load2	No
MULTD	F0	F2	F4	3			Load3	No
SUBD	F8	F6	F2	4				
DIVD	F10	F0	F6	5				
ADDD	F6	F8	F2	6				

Reservation Stations:

Time	Name	Busy	Op	<i>S1 Vj</i>	<i>S2 Vk</i>	<i>RS Qj</i>	<i>RS Qk</i>
1	Add1	Yes	SUBD	M(A1)	M(A2)		
	Add2	Yes	ADDD		M(A2)	Add1	
	Add3	No					
9	Mult1	Yes	MULTD	M(A2)	R(F4)		
	Mult2	Yes	DIVD		M(A1)	Mult1	

Issue ADDD here vs. scoreboard?

Register result status:

Clock	F0	F2	F4	F6	F8	F10	F12	...	F30
6	FU								
	Mult1			Add2	Add1	Mult2			
Reg File	M(A2)			M(A1)					

Tomasulo Example: Cycle 7

Instruction status:

Instruction	<i>j</i>	<i>k</i>	<i>Issue</i>	<i>Exec Comp</i>	<i>Write Result</i>	Busy	Address	
LD	F6	34+	R2	1	3	4	Load1	No
LD	F2	45+	R3	2	4	5	Load2	No
MULTD	F0	F2	F4	3			Load3	No
SUBD	F8	F6	F2	4	7			
DIVD	F10	F0	F6	5				
ADDD	F6	F8	F2	6				

Reservation Stations:

Time	Name	Busy	Op	<i>S1</i> <i>Vj</i>	<i>S2</i> <i>Vk</i>	<i>RS</i> <i>Qj</i>	<i>RS</i> <i>Qk</i>
0	Add1	Yes	SUBD	M(A1)	M(A2)		
	Add2	Yes	ADDD		M(A2)	Add1	
	Add3	No					
8	Mult1	Yes	MULTD	M(A2)	R(F4)		
	Mult2	Yes	DIVD		M(A1)	Mult1	

Add1 completes;
what is waiting for it?

Register result status:

Clock	<i>F0</i>	<i>F2</i>	<i>F4</i>	<i>F6</i>	<i>F8</i>	<i>F10</i>	<i>F12</i>	...	<i>F30</i>
7	FU								
	Mult1			Add2	Add1	Mult2			
	Reg File								
		M(A2)		M(A1)					

Tomasulo Example: Cycle 8

Instruction status:

Instruction	<i>j</i>	<i>k</i>	<i>Issue</i>	<i>Exec Comp</i>	<i>Write Result</i>	Busy	Address	
LD	F6	34+	R2	1	3	4	Load1	No
LD	F2	45+	R3	2	4	5	Load2	No
MULTD	F0	F2	F4	3			Load3	No
SUBD	F8	F6	F2	4	7	8		
DIVD	F10	F0	F6	5				
ADDD	F6	F8	F2	6				

Reservation Stations:

Time	Name	Busy	Op	<i>S1 Vj</i>	<i>S2 Vk</i>	<i>RS Qj</i>	<i>RS Qk</i>
	Add1	No					
2	Add2	Yes	ADDD	(M-M)	M(A2)		
	Add3	No					
7	Mult1	Yes	MULTD	M(A2)	R(F4)		
	Mult2	Yes	DIVD		M(A1)	Mult1	

Register result status:

Clock	<i>F0</i>	<i>F2</i>	<i>F4</i>	<i>F6</i>	<i>F8</i>	<i>F10</i>	<i>F12</i>	...	<i>F30</i>
8	FU								
	Mult1			Add2		Mult2			
Reg File	M(A2)		M(A1)		(M-M)				

Tomasulo Example: Cycle 9

Instruction status:

Instruction	<i>j</i>	<i>k</i>	<i>Issue</i>	<i>Exec Comp</i>	<i>Write Result</i>	Busy	Address	
LD	F6	34+	R2	1	3	4	Load1	No
LD	F2	45+	R3	2	4	5	Load2	No
MULTD	F0	F2	F4	3			Load3	No
SUBD	F8	F6	F2	4	7	8		
DIVD	F10	F0	F6	5				
ADDD	F6	F8	F2	6				

Reservation Stations:

Time	Name	Busy	Op	<i>S1</i> <i>Vj</i>	<i>S2</i> <i>Vk</i>	<i>RS</i> <i>Qj</i>	<i>RS</i> <i>Qk</i>
	Add1	No					
1	Add2	Yes	ADDD	(M-M)	M(A2)		
	Add3	No					
6	Mult1	Yes	MULTD	M(A2)	R(F4)		
	Mult2	Yes	DIVD		M(A1)	Mult1	

Register result status:

Clock	<i>F0</i>	<i>F2</i>	<i>F4</i>	<i>F6</i>	<i>F8</i>	<i>F10</i>	<i>F12</i>	...	<i>F30</i>
9	FU								
	Mult1			Add2		Mult2			
	Reg File								
		M(A2)		M(A1)	(M-M)				

Tomasulo Example: Cycle 10

Instruction status:

Instruction	<i>j</i>	<i>k</i>	<i>Issue</i>	<i>Exec Comp</i>	<i>Write Result</i>	Busy	Address	
LD	F6	34+	R2	1	3	4	Load1	No
LD	F2	45+	R3	2	4	5	Load2	No
MULTD	F0	F2	F4	3			Load3	No
SUBD	F8	F6	F2	4	7	8		
DIVD	F10	F0	F6	5				
ADDD	F6	F8	F2	6	10			

Reservation Stations:

Time	Name	Busy	Op	<i>S1 Vj</i>	<i>S2 Vk</i>	<i>RS Qj</i>	<i>RS Qk</i>
	Add1	No					
0	Add2	Yes	ADDD	(M-M)	M(A2)		
	Add3	No					
5	Mult1	Yes	MULTD	M(A2)	R(F4)		
	Mult2	Yes	DIVD		M(A1)	Mult1	

Add2 completes;
what is waiting for it?

Register result status:

Clock	<i>F0</i>	<i>F2</i>	<i>F4</i>	<i>F6</i>	<i>F8</i>	<i>F10</i>	<i>F12</i>	...	<i>F30</i>
10	FU								
	Mult1			Add2		Mult2			
	Reg File								
		M(A2)		M(A1)	(M-M)				

Tomasulo Example: Cycle 11

Instruction status:

Instruction	<i>j</i>	<i>k</i>	<i>Issue</i>	<i>Exec Comp</i>	<i>Write Result</i>	Busy	Address	
LD	F6	34+	R2	1	3	4	Load1	No
LD	F2	45+	R3	2	4	5	Load2	No
MULTD	F0	F2	F4	3			Load3	No
SUBD	F8	F6	F2	4	7	8		
DIVD	F10	F0	F6	5				
ADDD	F6	F8	F2	6	10	11		

Reservation Stations:

Time	Name	Busy	Op	<i>S1 Vj</i>	<i>S2 Vk</i>	<i>RS Qj</i>	<i>RS Qk</i>
	Add1	No					
	Add2	No					
	Add3	No					
4	Mult1	Yes	MULTD	M(A2)	R(F4)		
	Mult2	Yes	DIVD		M(A1)	Mult1	

Write result of ADDD here vs. scoreboard?

All quick instructions complete in this cycle!

Register result status:

Clock	<i>F0</i>	<i>F2</i>	<i>F4</i>	<i>F6</i>	<i>F8</i>	<i>F10</i>	<i>F12</i>	...	<i>F30</i>
11	FU								
	Mult1						Mult2		
Reg File	M(A2)		(M-M+N)			(M-M)			

Tomasulo Example: Cycle 12

Instruction status:

Instruction	<i>j</i>	<i>k</i>	<i>Issue</i>	<i>Exec Comp</i>	<i>Write Result</i>	Busy	Address	
LD	F6	34+	R2	1	3	4	Load1	No
LD	F2	45+	R3	2	4	5	Load2	No
MULTD	F0	F2	F4	3			Load3	No
SUBD	F8	F6	F2	4	7	8		
DIVD	F10	F0	F6	5				
ADDD	F6	F8	F2	6	10	11		

Reservation Stations:

Time	Name	Busy	Op	<i>S1 Vj</i>	<i>S2 Vk</i>	<i>RS Qj</i>	<i>RS Qk</i>
	Add1	No					
	Add2	No					
	Add3	No					
3	Mult1	Yes	MULTD	M(A2)	R(F4)		
	Mult2	Yes	DIVD		M(A1)	Mult1	

Register result status:

Clock	<i>F0</i>	<i>F2</i>	<i>F4</i>	<i>F6</i>	<i>F8</i>	<i>F10</i>	<i>F12</i>	...	<i>F30</i>
12	FU								
	Mult1						Mult2		
Reg File	M(A2)		(M-M+M)		(M-M)				

Tomasulo Example: Cycle 13

Instruction status:

Instruction	<i>j</i>	<i>k</i>	<i>Issue</i>	<i>Exec Comp</i>	<i>Write Result</i>	Busy	Address	
LD	F6	34+	R2	1	3	4	Load1	No
LD	F2	45+	R3	2	4	5	Load2	No
MULTD	F0	F2	F4	3			Load3	No
SUBD	F8	F6	F2	4	7	8		
DIVD	F10	F0	F6	5				
ADDD	F6	F8	F2	6	10	11		

Reservation Stations:

Time	Name	Busy	Op	<i>S1 Vj</i>	<i>S2 Vk</i>	<i>RS Qj</i>	<i>RS Qk</i>
	Add1	No					
	Add2	No					
	Add3	No					
2	Mult1	Yes	MULTD	M(A2)	R(F4)		
	Mult2	Yes	DIVD		M(A1)	Mult1	

Register result status:

Clock	<i>F0</i>	<i>F2</i>	<i>F4</i>	<i>F6</i>	<i>F8</i>	<i>F10</i>	<i>F12</i>	...	<i>F30</i>
13	FU								
	Mult1				Mult2				
Reg File	M(A2)		(M-M+M)		(M-M)				

Tomasulo Example: Cycle 14

Instruction status:

Instruction	<i>j</i>	<i>k</i>	<i>Issue</i>	<i>Exec Comp</i>	<i>Write Result</i>	Busy	Address	
LD	F6	34+	R2	1	3	4	Load1	No
LD	F2	45+	R3	2	4	5	Load2	No
MULTD	F0	F2	F4	3			Load3	No
SUBD	F8	F6	F2	4	7	8		
DIVD	F10	F0	F6	5				
ADDD	F6	F8	F2	6	10	11		

Reservation Stations:

Time	Name	Busy	Op	<i>S1</i> <i>Vj</i>	<i>S2</i> <i>Vk</i>	<i>RS</i> <i>Qj</i>	<i>RS</i> <i>Qk</i>
	Add1	No					
	Add2	No					
	Add3	No					
1	Mult1	Yes	MULTD	M(A2)	R(F4)		
	Mult2	Yes	DIVD		M(A1)	Mult1	

Register result status:

Clock	<i>F0</i>	<i>F2</i>	<i>F4</i>	<i>F6</i>	<i>F8</i>	<i>F10</i>	<i>F12</i>	...	<i>F30</i>
14	FU								
	Mult1						Mult2		
Reg File	M(A2)		(M-M+M)		(M-M)				

Tomasulo Example: Cycle 15

Instruction status:

Instruction	<i>j</i>	<i>k</i>	<i>Issue</i>	<i>Exec Comp</i>	<i>Write Result</i>	Busy	Address	
LD	F6	34+	R2	1	3	4	Load1	No
LD	F2	45+	R3	2	4	5	Load2	No
MULTD	F0	F2	F4	3	15		Load3	No
SUBD	F8	F6	F2	4	7	8		
DIVD	F10	F0	F6	5				
ADDD	F6	F8	F2	6	10	11		

Reservation Stations:

Time	Name	Busy	Op	<i>S1 Vj</i>	<i>S2 Vk</i>	<i>RS Qj</i>	<i>RS Qk</i>
	Add1	No					
	Add2	No					
	Add3	No					
0	Mult1	Yes	MULTD	M(A2)	R(F4)		
	Mult2	Yes	DIVD		M(A1)	Mult1	

Register result status:

Clock	<i>F0</i>	<i>F2</i>	<i>F4</i>	<i>F6</i>	<i>F8</i>	<i>F10</i>	<i>F12</i>	...	<i>F30</i>
15	FU								
	Mult1						Mult2		
Reg File	M(A2)		(M-M+M)		(M-M)				

Tomasulo Example: Cycle 16

Instruction status:

Instruction	<i>j</i>	<i>k</i>	<i>Issue</i>	<i>Exec Comp</i>	<i>Write Result</i>	Busy	Address	
LD	F6	34+	R2	1	3	4	Load1	No
LD	F2	45+	R3	2	4	5	Load2	No
MULTD	F0	F2	F4	3	15	16	Load3	No
SUBD	F8	F6	F2	4	7	8		
DIVD	F10	F0	F6	5				
ADDD	F6	F8	F2	6	10	11		

Reservation Stations:

Time	Name	Busy	Op	<i>S1</i> <i>Vj</i>	<i>S2</i> <i>Vk</i>	<i>RS</i> <i>Qj</i>	<i>RS</i> <i>Qk</i>
	Add1	No					
	Add2	No					
	Add3	No					
	Mult1	No					
40	Mult2	Yes	DIVD	M*F4	M(A1)		

Register result status:

Clock	<i>F0</i>	<i>F2</i>	<i>F4</i>	<i>F6</i>	<i>F8</i>	<i>F10</i>	<i>F12</i>	...	<i>F30</i>
16	FU								
	Reg File								
	M*F4	M(A2)	(M-M+M)	(M-M)					

After a few clock cycles...

Tomasulo Example: Cycle 55

Instruction status:

Instruction	<i>j</i>	<i>k</i>	<i>Issue</i>	<i>Exec Comp</i>	<i>Write Result</i>	Busy	Address	
LD	F6	34+	R2	1	3	4	Load1	No
LD	F2	45+	R3	2	4	5	Load2	No
MULTD	F0	F2	F4	3	15	16	Load3	No
SUBD	F8	F6	F2	4	7	8		
DIVD	F10	F0	F6	5				
ADDD	F6	F8	F2	6	10	11		

Reservation Stations:

Time	Name	Busy	Op	<i>S1 Vj</i>	<i>S2 Vk</i>	<i>RS Qj</i>	<i>RS Qk</i>
	Add1	No					
	Add2	No					
	Add3	No					
	Mult1	No					
1	Mult2	Yes	DIVD	M*F4	M(A1)		

Register result status:

Clock	<i>F0</i>	<i>F2</i>	<i>F4</i>	<i>F6</i>	<i>F8</i>	<i>F10</i>	<i>F12</i>	...	<i>F30</i>
55	FU Mult2								
Reg File	M*F4	M(A2)	(M-M+M)	(M-M)					

Tomasulo Example: Cycle 56

Instruction status:

Instruction	<i>j</i>	<i>k</i>	<i>Issue</i>	<i>Exec Comp</i>	<i>Write Result</i>	Busy	Address	
LD	F6	34+	R2	1	3	4	Load1	No
LD	F2	45+	R3	2	4	5	Load2	No
MULTD	F0	F2	F4	3	15	16	Load3	No
SUBD	F8	F6	F2	4	7	8		
DIVD	F10	F0	F6	5	56			
ADDD	F6	F8	F2	6	10	11		

Reservation Stations:

Time	Name	Busy	Op	<i>S1 Vj</i>	<i>S2 Vk</i>	<i>RS Qj</i>	<i>RS Qk</i>
	Add1	No					
	Add2	No					
	Add3	No					
	Mult1	No					
0	Mult2	Yes	DIVD	M*F4	M(A1)		

Mult2 is completing;
what is waiting for it?

Register result status:

Clock	<i>F0</i>	<i>F2</i>	<i>F4</i>	<i>F6</i>	<i>F8</i>	<i>F10</i>	<i>F12</i>	...	<i>F30</i>
56	FU								
	Reg File								
	M*F4	M(A2)		(M-M+M)	(M-M)				

Tomasulo Example: Cycle 57

Instruction status:

Instruction	<i>j</i>	<i>k</i>	<i>Issue</i>	<i>Exec Comp</i>	<i>Write Result</i>	Busy	Address
LD	F6	34+	R2	1	3	4	Load1
LD	F2	45+	R3	2	4	5	Load2
MULTD	F0	F2	F4	3	15	16	Load3
SUBD	F8	F6	F2	4	7	8	
DIVD	F10	F0	F6	5	56	57	
ADDD	F6	F8	F2	6	10	11	

Reservation Stations:

Time	Name	Busy	Op	<i>S1</i> <i>Vj</i>	<i>S2</i> <i>Vk</i>	<i>RS</i> <i>Qj</i>	<i>RS</i> <i>Qk</i>
Add1		No					
Add2		No					
Add3		No					
Mult1		No					
Mult2		Yes	DIVD	M*F4	M(A1)		

In-order issue?

Out-of-order execute?

Out-of-order commit?

Register result status:

Clock	<i>F0</i>	<i>F2</i>	<i>F4</i>	<i>F6</i>	<i>F8</i>	<i>F10</i>	<i>F12</i>	...	<i>F30</i>
56	FU Result								
Reg File	M*F4	M(A2)	(M-M+M)	(M-M)					

Compare to Scoreboard: Cycle 62

Instruction status:

Instruction	<i>j</i>	<i>k</i>	<i>Read Exec Write</i>				<i>Exec Write</i>			
			<i>Issue</i>	<i>Oper</i>	<i>Comp</i>	<i>Result</i>	<i>Issue</i>	<i>Comp</i>	<i>Result</i>	
LD	F6	34+	R2	1	2	3	4	1	3	4
LD	F2	45+	R3	5	6	7	8	2	4	5
MULTD	F0	F2	F4	6	9	19	20	3	15	16
SUBD	F8	F6	F2	7	9	11	12	4	7	8
DIVD	F10	F0	F6	8	21	61	62	5	56	57
ADDD	F6	F8	F2	13	14	16	22	6	10	11

- Why did it take longer on scoreboard/6600?
 - Structural Hazards
 - Lack of forwarding
 - WAR, WAW hazards cause stalls

Tomasulo Loop Example

```
while (R1 > 0) { MEM[R1] = MEM[R1] * F2; R1 -= 8; }
```

```
Loop:      LD          F0      0      R1
           MULTD       F4      F0      F2
           S.D         F4      0      R1
           SUBI        R1      R1      #8
           BNEZ        R1      Loop
```

- Assume MULTD takes 4 clocks and R1 = 80 at start
- Assume **first load takes 8 clocks** (cache miss), second load takes 1 clock (hit) and stores take 1 clock (hit)
- We will show clocks for SUBI, BNEZ
- Reality: integer instructions move ahead/faster

Loop Example

Instruction status:

<i>ITER</i>	<i>Instruction</i>	<i>j</i>	<i>k</i>	<i>Issue</i>	<i>CompResult</i>	<i>Exec</i>	<i>Write</i>	<i>Busy</i>	<i>Addr</i>	<i>Fu</i>
1	LD	F0	0	R1		Load1		No		
1	MULTD	F4	F0	F2		Load2		No		
1	SD	F4	0	R1		Load3		No		
2	LD	F0	0	R1		Store1		No		
2	MULTD	F4	F0	F2		Store2		No		
2	SD	F4	0	R1		Store3		No		

Reservation Stations:

<i>Time</i>	<i>Name</i>	<i>Busy</i>	<i>Op</i>	<i>Vj</i>	<i>Vk</i>	<i>Qj</i>	<i>Qk</i>	<i>Code:</i>
	Add1	No						LD
	Add2	No						MULTD
	Add3	No						SD
	Mult1	No						SUBI
	Mult2	No						BNEZ

Register result status

<i>Clock</i>	<i>R1</i>	<i>F0</i>	<i>F2</i>	<i>F4</i>	<i>F6</i>	<i>F8</i>	<i>F10</i>	<i>F12</i>	<i>...</i>	<i>F30</i>
0	80	<i>Fu</i>								

Loop Example: Cycle 1

Instruction status:

ITER	Instruction	<i>j</i>	<i>k</i>	Exec Write		Issue	CompResult	Busy	Addr	Fu
				<i>S1</i>	<i>S2</i>					
1	LD	F0	0	R1		1		Yes	80	
1	MULTD	F4	F0	F2				No		
1	SD	F4	0	R1				No		
2	LD	F0	0	R1				No		
2	MULTD	F4	F0	F2				No		
2	SD	F4	0	R1				No		

Reservation Stations:

Time	Name	Busy	Op	V _j	V _k	Q _j	Q _k	Code:
	Add1	No						LD F0 0 R1
	Add2	No						MULTD F4 F0 F2
	Add3	No						SD F4 0 R1
	Mult1	No						SUBI R1 R1 #8
	Mult2	No						BNEZ R1 Loop

Register result status

Clock	R1	F0	F2	F4	F6	F8	F10	F12	...	F30	
1	80	Fu Load1									

Loop Example: Cycle 2

Instruction status:

ITER	Instruction	j	k	Exec Write		Issue	Comp	Result	7	Addr	Fu
				Busy	Addr						
1	LD	F0	0	R1		1			Yes	80	
1	MULTD	F4	F0	F2		2			No		
1	SD	F4	0	R1					No		
2	LD	F0	0	R1					No		
2	MULTD	F4	F0	F2					No		
2	SD	F4	0	R1					No		

Reservation Stations:

Time	Name	Busy	Op	Vj	Vk	S1	S2	RS	Code:	Fu	Fu	
												Qj
	Add1	No							LD	F0	0	R1
	Add2	No							MULTD	F4	F0	F2
	Add3	No							SD	F4	0	R1
	Mult1	Yes	Multd			R(F2)	Load1		SUBI	R1	R1	#8
	Mult2	No							BNEZ	R1	Loop	

Register result status

Clock	R1	F0	F2	F4	F6	F8	F10	F12	...	F30
2	80	Load1		Mult1						

Loop Example: Cycle 3

Instruction status:

ITER	Instruction	<i>j</i>	<i>k</i>	Issue	Comp	Result	Busy	Addr	<i>Fu</i>
1	LD	F0	0	R1	1		Yes	80	
1	MULTD	F4	F0	F2	2		No		
1	SD	F4	0	R1	3		No		
2	LD	F0	0	R1			Yes	80	Mult1
2	MULTD	F4	F0	F2			No		
2	SD	F4	0	R1			No		

Reservation Stations:

Time	Name	Busy	Op	<i>Vj</i>	<i>Vk</i>	<i>Qj</i>	<i>Qk</i>	Code:
	Add1	No						LD
	Add2	No						MULTD
	Add3	No						SD
	Mult1	Yes	Multd		R(F2)	Load1		SUBI
	Mult2	No						BNEZ

Register result status

Clock	R1	F0	F2	F4	F6	F8	F10	F12	...	F30
3	80	Load1		Mult1						

Implicit renaming sets up “data-flow” graph

Loop Example: Cycle 4

Instruction status:

ITER	Instruction	j	k	Exec Write		Issue	Comp	Result	5 Busy	Addr	Fu
				Issue	Comp						
1	LD	F0	0	R1		1			Yes	80	
1	MULTD	F4	F0	F2		2			No		
1	SD	F4	0	R1		3			No		
2	LD	F0	0	R1					Yes	80	Mult1
2	MULTD	F4	F0	F2					No		
2	SD	F4	0	R1					No		

Reservation Stations:

Time	Name	Busy	Op	Vj	Vk	S1	S2	RS	Qj	Qk	Code:
	Add1	No									LD
	Add2	No									MULTD
	Add3	No									SD
	Mult1	Yes	Multd			R(F2)	Load1				SUBI
	Mult2	No									BNEZ

**Dispatching
SUBI Instruction**

Register result status

Clock	R1	F0	F2	F4	F6	F8	F10	F12	...	F30
4	80	Fu	Load1	Mult1						

Loop Example: Cycle 5

Instruction status:

ITER	Instruction	j	k	Exec Write		Issue	Comp	Result	4 Busy	Addr	Fu
				S1	S2						
1	LD	F0	0	R1		1			Yes	80	
1	MULTD	F4	F0	F2		2			No		
1	SD	F4	0	R1		3			No		
2	LD	F0	0	R1					Yes	80	Mult1
2	MULTD	F4	F0	F2					No		
2	SD	F4	0	R1					No		

Reservation Stations:

Time	Name	Busy	Op	Vj	Vk	Qj	Qk	Code:
	Add1	No						LD F0 0 R1
	Add2	No						MULTD F4 F0 F2
	Add3	No						SD F4 0 R1
	Mult1	Yes	Multd		R(F2)	Load1		SUBI R1 R1 #8
	Mult2	No						BNEZ R1 Loop

And, BNEZ instruction

Register result status

Clock	R1	F0	F2	F4	F6	F8	F10	F12	...	F30
5	72	Fu	Load1	Mult1						

Loop Example: Cycle 6

Instruction status:

ITER	Instruction	j	k	Exec Write		Issue	Comp	Result	Busy ³	Addr	Fu
				Issue	Comp						
1	LD	F0	0	R1		1			Yes	80	
1	MULTD	F4	F0	F2		2			Yes	72	
1	SD	F4	0	R1		3			No		
2	LD	F0	0	R1		6			Yes	80	Mult1
2	MULTD	F4	F0	F2					No		
2	SD	F4	0	R1					No		

Reservation Stations:

Time	Name	Busy	Op	Vj	Vk	Qj	Qk	Code:	Fu	Fu	
											S1
	Add1	No						LD	F0	0	R1
	Add2	No						MULTD	F4	F0	F2
	Add3	No						SD	F4	0	R1
	Mult1	Yes	Multd			R(F2)	Load1	SUBI	R1	R1	#8
	Mult2	No						BNEZ	R1	Loop	

Register result status

Clock	R1	F0	F2	F4	F6	F8	F10	F12	...	F30
6	72	Fu	Load2	Mult1						

Note: F0 never sees Load from location 80

Load2 waits for cache-line behind Load1

Loop Example: Cycle 7

Instruction status:

ITER	Instruction	j	k	Exec Write		Issue	Comp	Result	Busy ²	Addr	Fu
				S1	S2						
1	LD	F0	0	R1		1			Yes	80	
1	MULTD	F4	F0	F2		2			Yes	72	
1	SD	F4	0	R1		3			No		
2	LD	F0	0	R1		6			Yes	80	Mult1
2	MULTD	F4	F0	F2		7			No		
2	SD	F4	0	R1					No		

Reservation Stations:

Time	Name	Busy	Op	Vj	Vk	Qj	Qk	Code:
	Add1	No						LD
	Add2	No						MULTD
	Add3	No						SD
	Mult1	Yes	Multd		R(F2)	Load1		SUBI
	Mult2	Yes	Multd		R(F2)	Load2		BNEZ

Register result status

Clock	R1	F0	F2	F4	F6	F8	F10	F12	...	F30
7	72	Fu	Load2	Mult2						

Register file completely detached from computation

First and second iteration completely overlapped

Loop Example: Cycle 8

Instruction status:

ITER	Instruction	j	k	Exec Write		Issue	Comp	Result	Busy	Addr	Fu
				Issue	Comp						
1	LD	F0	0	R1	1				Yes	80	
1	MULTD	F4	F0	F2	2				Yes	72	
1	SD	F4	0	R1	3				No		
2	LD	F0	0	R1	6				Yes	80	Mult1
2	MULTD	F4	F0	F2	7				Yes	72	Mult2
2	SD	F4	0	R1	8				No		

Reservation Stations:

Time	Name	Busy	Op	Vj	Vk	S1	S2	RS	Code:
	Add1	No							LD F0 0 R1
	Add2	No							MULTD F4 F0 F2
	Add3	No							SD F4 0 R1
	Mult1	Yes	Multd			R(F2)	Load1		SUBI R1 R1 #8
	Mult2	Yes	Multd			R(F2)	Load2		BNEZ R1 Loop

Register result status

Clock	R1	F0	F2	F4	F6	F8	F10	F12	...	F30
8	72	Fu	Load2	Mult2						

Loop Example: Cycle 9

Instruction status:

ITER	Instruction	j	k	Exec Write		Fu				
				Issue	CompResult					
1	LD	F0	0	R1	1	9	Load1	Yes	80	
1	MULTD	F4	F0	F2	2		Load2	Yes	72	
1	SD	F4	0	R1	3		Load3	No		
2	LD	F0	0	R1	6		Store1	Yes	80	Mult1
2	MULTD	F4	F0	F2	7		Store2	Yes	72	Mult2
2	SD	F4	0	R1	8		Store3	No		

Reservation Stations:

Time	Name	Busy	Op	Vj	Vk	Qj	Qk	Code:			
									S1	S2	RS
	Add1	No						LD	F0	0	R1
	Add2	No						MULTD	F4	F0	F2
	Add3	No						SD	F4	0	R1
	Mult1	Yes	Multd			R(F2)	Load1	SUBI	R1	R1	#8
	Mult2	Yes	Multd			R(F2)	Load2	BNEZ	R1	Loop	

Load1 completing:
who is waiting?

Dispatching SUBI

Register result status

Clock	R1	F0	F2	F4	F6	F8	F10	F12	...	F30
9	72	Fu	Load2	Mult2						

Loop Example: Cycle 10

Instruction status:

ITER	Instruction	j	k	Exec Write			Busy	Addr	Fu
				Issue	Comp	Result			
1	LD	F0	0	R1	1	9	10	Load1	No
1	MULTD	F4	F0	F2	2			Load2	Yes 72
1	SD	F4	0	R1	3			Load3	No
2	LD	F0	0	R1	6	10		Store1	Yes 80 Mult1
2	MULTD	F4	F0	F2	7			Store2	Yes 72 Mult2
2	SD	F4	0	R1	8			Store3	No

Reservation Stations:

Time	Name	Busy	Op	Vj	Vk	S1	S2	RS	Qj	Qk	Code:	
												Qj
	Add1	No									LD	F0 0 R1
	Add2	No									MULTD	F4 F0 F2
	Add3	No									SD	F4 0 R1
4	Mult1	Yes	Multd	M[80]	R(F2)						SUBI	R1 R1 #8
	Mult2	Yes	Multd		R(F2)	Load2					BNEZ	R1 Loop

**Load2 completing:
who is waiting?**

Dispatching BNEZ

Register result status

Clock	R1	F0	F2	F4	F6	F8	F10	F12	...	F30
10	64	Fu	Load2	Mult2						

Loop Example: Cycle 11

Instruction status:

ITER	Instruction	<i>j</i>	<i>k</i>	Issue	Comp	Result	Exec	Write	Busy	Addr	Fu
1	LD	F0	0	R1	1	9	10	Load1	No		
1	MULTD	F4	F0	F2	2			Load2	No		
1	SD	F4	0	R1	3			Load3	Yes	64	
2	LD	F0	0	R1	6	10	11	Store1	Yes	80	Mult1
2	MULTD	F4	F0	F2	7			Store2	Yes	72	Mult2
2	SD	F4	0	R1	8			Store3	No		

Reservation Stations:

Time	Name	Busy	Op	Vj	Vk	Qj	Qk	Code:
	Add1	No						LD F0 0 R1
	Add2	No						MULTD F4 F0 F2
	Add3	No						SD F4 0 R1
3	Mult1	Yes	Multd	M[80]	R(F2)			SUBI R1 R1 #8
4	Mult2	Yes	Multd	M[72]	R(F2)			BNEZ R1 Loop

Next load in sequence

Register result status

Clock	R1	F0	F2	F4	F6	F8	F10	F12	...	F30
11	64	Fu	Load3	Mult2						

Loop Example: Cycle 12

Instruction status:

<i>ITER</i>	<i>Instruction</i>	<i>j</i>	<i>k</i>	<i>Issue</i>	<i>Comp</i>	<i>Result</i>	<i>Exec</i>	<i>Write</i>	<i>Busy</i>	<i>Addr</i>	<i>Fu</i>
1	LD	F0	0	R1	1	9	10	Load1	No		
1	MULTD	F4	F0	F2	2			Load2	No		
1	SD	F4	0	R1	3			Load3	Yes	64	
2	LD	F0	0	R1	6	10	11	Store1	Yes	80	Mult1
2	MULTD	F4	F0	F2	7			Store2	Yes	72	Mult2
2	SD	F4	0	R1	8			Store3	No		

Reservation Stations:

<i>Time</i>	<i>Name</i>	<i>Busy</i>	<i>Op</i>	<i>Vj</i>	<i>Vk</i>	<i>Qj</i>	<i>Qk</i>	<i>Code:</i>	<i>S1</i>	<i>S2</i>	<i>RS</i>
	Add1	No						LD	F0	0	R1
	Add2	No						MULTD	F4	F0	F2
	Add3	No						SD	F4	0	R1
2	Mult1	Yes	Multd	M[80]	R(F2)			SUBI	R1	R1	#8
3	Mult2	Yes	Multd	M[72]	R(F2)			BNEZ	R1	Loop	

Why not issue third multiply?

Structural hazard

Register result status

<i>Clock</i>	<i>R1</i>	<i>F0</i>	<i>F2</i>	<i>F4</i>	<i>F6</i>	<i>F8</i>	<i>F10</i>	<i>F12</i>	<i>...</i>	<i>F30</i>
12	64	<i>Fu</i>	Load3	Mult2						

Loop Example: Cycle 13

Instruction status:

ITER	Instruction	j	k	Exec Write			Busy	Addr	Fu
				Issue	Comp	Result			
1	LD	F0	0	R1	1	9	10	Load1	No
1	MULTD	F4	F0	F2	2			Load2	No
1	SD	F4	0	R1	3			Load3	Yes 64
2	LD	F0	0	R1	6	10	11	Store1	Yes 80 Mult1
2	MULTD	F4	F0	F2	7			Store2	Yes 72 Mult2
2	SD	F4	0	R1	8			Store3	No

Reservation Stations:

Time	Name	Busy	Op	Vj	Vk	S1	S2	RS	Qj	Qk	Code:	
												Qj
	Add1	No									LD	F0 0 R1
	Add2	No									MULTD	F4 F0 F2
	Add3	No									SD	F4 0 R1
1	Mult1	Yes	Multd	M[80]	R(F2)						SUBI	R1 R1 #8
2	Mult2	Yes	Multd	M[72]	R(F2)						BNEZ	R1 Loop

Register result status

Clock	R1	F0	F2	F4	F6	F8	F10	F12	...	F30
13	64	Fu	Load3	Mult2						

Loop Example: Cycle 14

Instruction status:

ITER	Instruction	j	k	Exec Write			Busy	Addr	Fu
				Issue	Comp	Result			
1	LD	F0	0	R1	1	9	10	Load1	No
1	MULTD	F4	F0	F2	2	14		Load2	No
1	SD	F4	0	R1	3			Load3	Yes 64
2	LD	F0	0	R1	6	10	11	Store1	Yes 80 Mult1
2	MULTD	F4	F0	F2	7			Store2	Yes 72 Mult2
2	SD	F4	0	R1	8			Store3	No

Reservation Stations:

Time	Name	Busy	Op	Vj	Vk	Qj	Qk	Code:			
									S1	S2	RS
	Add1	No						LD	F0	0	R1
	Add2	No						MULTD	F4	F0	F2
	Add3	No						SD	F4	0	R1
0	Mult1	Yes	Multd	M[80]	R(F2)			SUBI	R1	R1	#8
1	Mult2	Yes	Multd	M[72]	R(F2)			BNEZ	R1	Loop	

**Mult1 completing:
Who is waiting?**

Register result status

Clock	R1	F0	F2	F4	F6	F8	F10	F12	...	F30
14	64	Fu	Load3	Mult2						

Loop Example: Cycle 15

Instruction status:

ITER	Instruction	j	k	Exec Write			Busy	Addr	Fu
				Issue	Comp	Result			
1	LD	F0	0	R1	1	9	10	Load1	No
1	MULTD	F4	F0	F2	2	14	15	Load2	No
1	SD	F4	0	R1	3			Load3	Yes 64
2	LD	F0	0	R1	6	10	11	Store1	Yes 80 [80]*R2
2	MULTD	F4	F0	F2	7	15		Store2	Yes 72 Mult2
2	SD	F4	0	R1	8			Store3	No

Reservation Stations:

Time	Name	Busy	Op	Vj	Vk	Qj	Qk	Code:			
									S1	S2	RS
	Add1	No						LD	F0	0	R1
	Add2	No						MULTD	F4	F0	F2
	Add3	No						SD	F4	0	R1
	Mult1	No						SUBI	R1	R1	#8
0	Mult2	Yes	Multd	M[72]	R(F2)			BNEZ	R1	Loop	

**Mult2 completing:
Who is waiting?**

Register result status

Clock	R1	F0	F2	F4	F6	F8	F10	F12	...	F30
15	64	Fu	Load3	Mult2						

Loop Example: Cycle 16

Instruction status:

ITER	Instruction	j	k	Exec			Busy	Addr	Fu
				Issue	Comp	Result			
1	LD	F0	0	R1	1	9	10	Load1	No
1	MULTD	F4	F0	F2	2	14	15	Load2	No
1	SD	F4	0	R1	3	16		Load3	Yes 64
2	LD	F0	0	R1	6	10	11	Store1	Yes 80 [80]*R2
2	MULTD	F4	F0	F2	7	15	16	Store2	Yes 72 [72]*R2
2	SD	F4	0	R1	8			Store3	No

Reservation Stations:

Time	Name	Busy	Op	Vj	Vk	S1	S2	RS	Code:
	Add1	No							LD F0 0 R1
	Add2	No							MULTD F4 F0 F2
	Add3	No							SD F4 0 R1
	Mult1	Yes	Multd		R(F2)	Load3			SUBI R1 R1 #8
	Mult2	No							BNEZ R1 Loop

Register result status

Clock	R1	F0	F2	F4	F6	F8	F10	F12	...	F30
16	64	Fu	Load3	Mult1						

Loop Example: Cycle 17

Instruction status:

ITER	Instruction	j	k	Exec Write			Busy	Addr	Fu
				Issue	Comp	Result			
1	LD	F0	0	R1	1	9	10	Load1	No
1	MULTD	F4	F0	F2	2	14	15	Load2	No
1	SD	F4	0	R1	3	16	17	Load3	Yes 64
2	LD	F0	0	R1	6	10	11	Store1	No
2	MULTD	F4	F0	F2	7	15	16	Store2	Yes 72 [72]*R2
2	SD	F4	0	R1	8	17		Store3	Yes 64 Mult1

Reservation Stations:

Time	Name	Busy	Op	Vj	Vk	S1	S2	RS	Code:
	Add1	No							LD F0 0 R1
	Add2	No							MULTD F4 F0 F2
	Add3	No							SD F4 0 R1
	Mult1	Yes	Multd		R(F2)	Load3			SUBI R1 R1 #8
	Mult2	No							BNEZ R1 Loop

Register result status

Clock	R1	F0	F2	F4	F6	F8	F10	F12	...	F30
17	64	Fu	Load3	Mult1						

Loop Example: Cycle 18

Instruction status:

ITER	Instruction	j	k	Exec Write			Busy	Addr	Fu
				Issue	Comp	Result			
1	LD	F0	0	R1	1	9	10	Load1	No
1	MULTD	F4	F0	F2	2	14	15	Load2	No
1	SD	F4	0	R1	3	16	17	Load3	Yes 64
2	LD	F0	0	R1	6	10	11	Store1	No
2	MULTD	F4	F0	F2	7	15	16	Store2	No
2	SD	F4	0	R1	8	17	18	Store3	Yes 64 Mult1

Reservation Stations:

Time	Name	Busy	Op	Vj	Vk	S1	S2	RS	Code:
	Add1	No							LD
	Add2	No							MULTD
	Add3	No							SD
	Mult1	Yes	Multd		R(F2)	Load3			SUBI
	Mult2	No							BNEZ

Register result status

Clock	R1	F0	F2	F4	F6	F8	F10	F12	...	F30
18	64	Fu	Load3	Mult1						

Tomasulo overlaps iterations of loops?

- Register renaming
 - Multiple iterations use different physical destinations for registers (dynamic loop unrolling).
- Reservation stations
 - Permit instruction issue to advance past integer control flow operations

Tomasulo vs. Scoreboard (IBM 360/91 v. CDC 6600)

Tomasulo

Pipelined Functional Units

(6 load, 3 store, 3 +, 2 x/÷)

window size: ≤ 14 instructions

No issue on structural hazard

WAR: renaming avoids them

WAW: renaming avoids them

Broadcast results from FU

Control: reservation stations

Scoreboard

Multiple Functional Units

(1 load/store, 1 +, 2 x, 1 ÷)

≤ 5 instructions

same

stall completion

stall issue

Write/read registers

Central scoreboard

Tomasulo Drawbacks

- Complexity
 - delays of 360/91, MIPS 10000, IBM 620?
- Many associative stores (CDB) at high speed
- Performance limited by Common Data Bus
 - Multiple CDBs => more FU logic for parallel associative stores